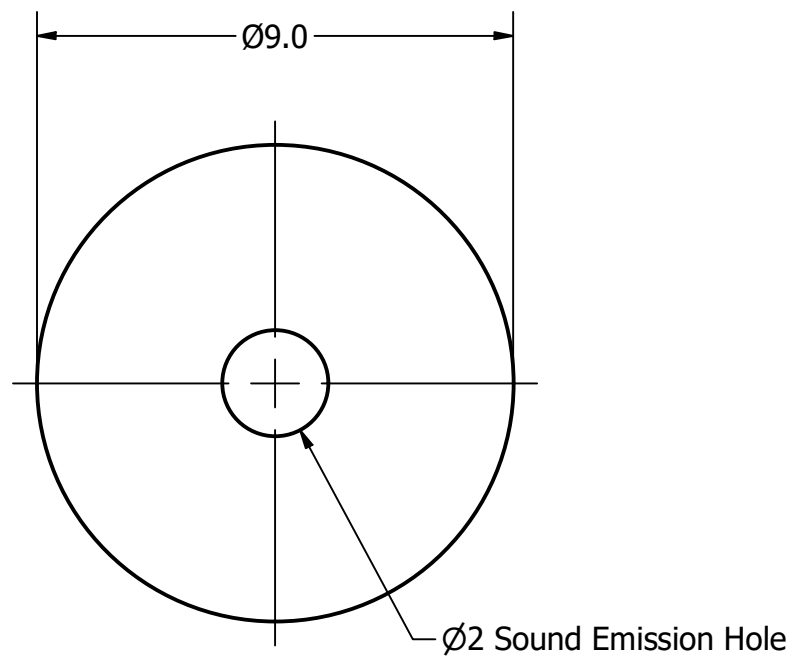
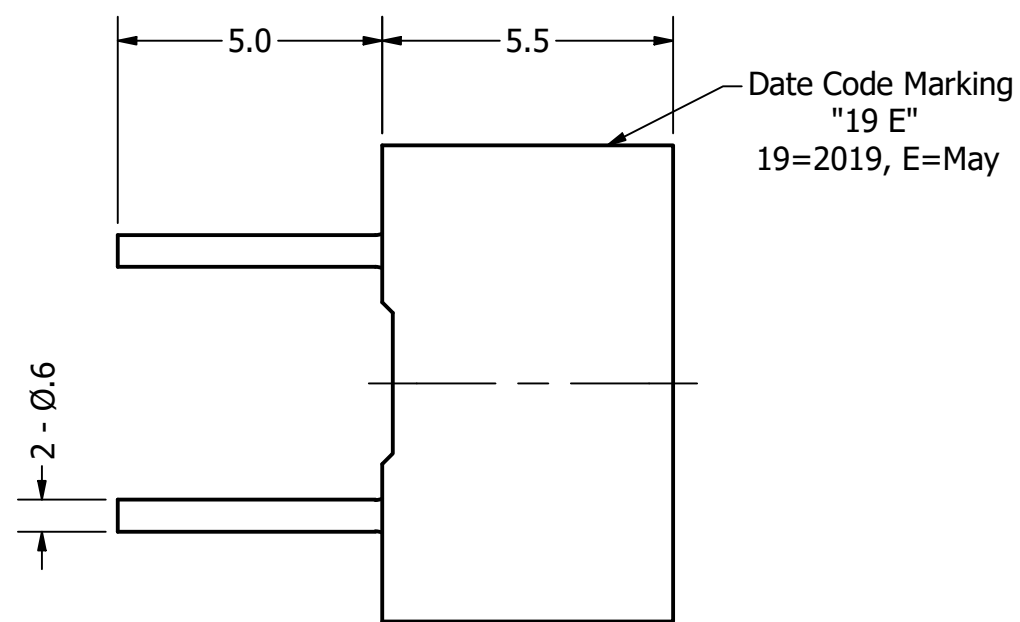


Part Number:	<b>TE092705-1</b>	
DRAWN	CJ	5/20/2019
CHECKED	C.H.	5/21/2019
Description:	<b>Electro-Mechanical Transducer</b>	
APPROVED	C.E.	5/21/2019
This document contains data proprietary to DB Unlimited. Any use or reproduction, in any form, without prior written permission of DB Unlimited is prohibited. All terms and conditions can be found at <a href="http://www.dbunlimitedco.com">www.dbunlimitedco.com</a>		

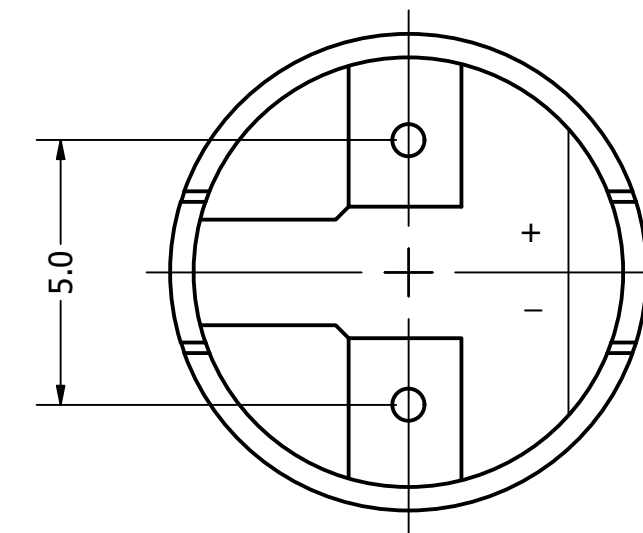
Top View



Side View



Bottom View



Items	Specifications	Conditions	REVISION HISTORY			
Min. Sound Pressure Level	85	dB (@ 10cm)	REV	DESCRIPTION	DATE	APPROVED
Resonant Frequency	2,731	Hz		Released from Engineering	10/21/2013	J.S.
Rated Voltage	5	V	1	Updated drawing template, pin length, current, weight, voltage range	5/21/2019	C.E.
Voltage Range	3 ~ 7	V	NOTES			
Coil Resistance	40	Ω	1) All dimensions are in mm unless otherwise noted			
Max. Rated Current	60	mA	2) All tolerances are ± 0.5 mm unless otherwise noted			
Storage Temperature	-40 ~ +90	°C	3) All parts meet RoHS			
Operating Temperature	-40 ~ +85	°C	4) Subject to change or redrawn without notice			
Connection Method	PC Pins					
Mount Type	Thru Hole					
Housing Material	PPO					
Weight	0.6	g				