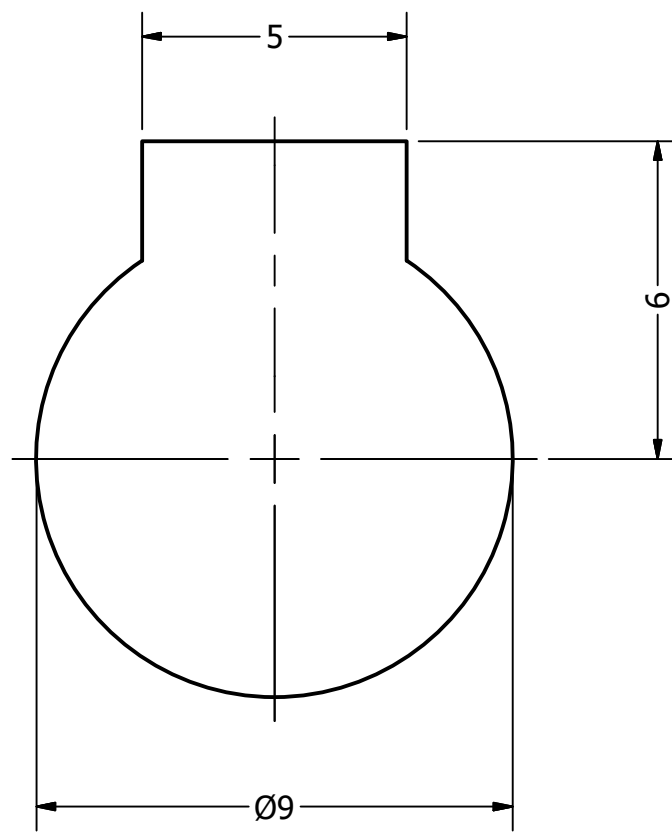
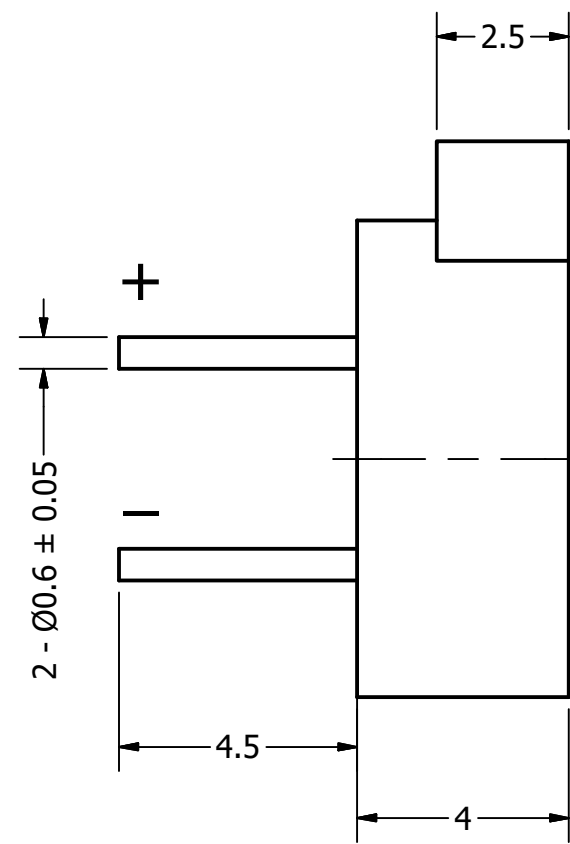


Part Number:	TE092703-5	
DESCRIPTION:	Electro-Mechanical Transducer	
DRAWN	CJ	6/15/2017
CHECKED		6/15/2017
P.D.		6/15/2017
APPROVED	C.E.	6/15/2017
This document contains data proprietary to DB Unlimited. Any use or reproduction, in any form, without prior written permission of DB Unlimited is prohibited. All terms and conditions can be found at www.dbunlimitedco.com		

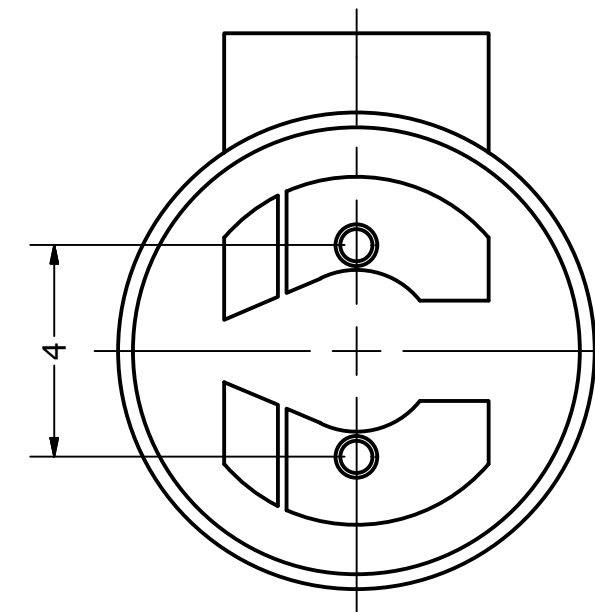
Top View



Side View



Bottom View



Items	Specifications	Conditions	REVISION HISTORY			
Sound Pressure Level	85	dB (@ 10cm)	REV	DESCRIPTION	DATE	APPROVED
Resonant Frequency	2731	Hz		Released from Engineering	10/21/2013	J.S.
Rated Voltage	3	V	1	Add polarity, correct operating temp, update to new template	6/15/2017	C.E.
Voltage Range	2 ~ 4	V	NOTES			
Coil Resistance	15 ± 3	Ω	1) All dimensions are in mm unless otherwise noted			
Max. Rated Current	90	mA	2) All tolerances are ± 0.5 mm unless otherwise noted			
Storage Temperature	-40 ~ +85	°C	3) All parts meet RoHS			
Operating Temperature	-40 ~ +85	°C	4) Subject to change or redrawn without notice			
Connection Method	PC Pins					
Mount Type	Thru Hole					
Housing Material	Noryl					
Weight	1	g				