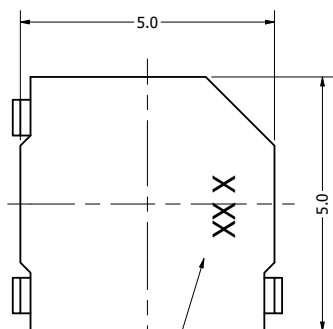


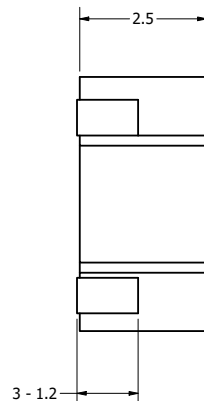
Part Number:	TE054003-3	
	DRAWN	1/19/2021
	CHECKED	1/20/2021
Description:	P.D.	
	APPROVED	1/20/2021
Electro-Mechanical Transducer		J.S.
This document contains data proprietary to DB Unlimited. Any use or reproduction, in any form, without prior written permission of DB Unlimited is prohibited. All terms and conditions can be found at www.dbunlimitedco.com		

Top View

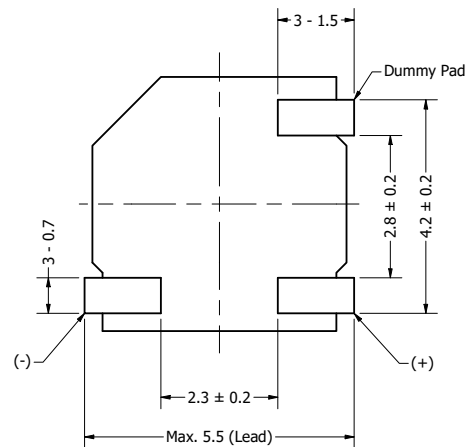


Date Code Marking
"21 A"
21=2021, A=Jan.

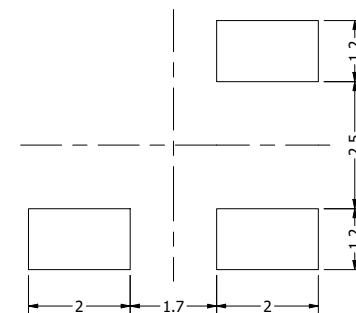
Side View



Bottom View



Land Pattern



Items	Specifications	Conditions
Min. Sound Pressure Level	78	dB (@ 10cm)
Resonant Frequency	4,000	Hz
Rated Voltage	3	V
Voltage Range	2 ~ 5	V
Coil Resistance	12 ± 2	Ω
Max. Rated Current	100	mA
Storage Temperature	-40 ~ +85	°C
Operating Temperature	-40 ~ +85	°C
Mount Type	Surface Mount	
Connection Method	Surface Mount Pads	
Housing Material	LCP	
Weight	0.3	g

REVISION HISTORY			
REV	DESCRIPTION	DATE	APPROVED
	Released from Engineering	1/20/2021	J.S.

NOTES	
1)	All dimensions are in mm unless otherwise noted
2)	All tolerances are ± 0.5 mm unless otherwise noted
3)	All parts meet RoHS
4)	Subject to change or redrawn without notice