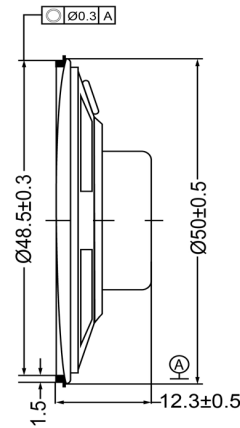
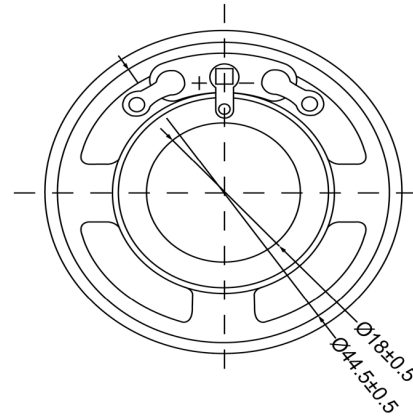




SIDE VIEW



BOTTOM VIEW



Specifications			Notes	Revision History						
Description	Value	Unit		Version	Description		Date	Approved		
Shape	Round		1) All dimensions are in mm unless otherwise noted 2) All parts meet RoHS	1	Released from Engineering		10/21/2013	J.S		
Resonant Frequency	400	(Hz)								
Frequency Range	400 ~ 5,000	(Hz)								
SPL @ 10cm	103	(dBA)								
Impedance	45	(Ohm)								
Cone Material	Paper									
Nominal Power	0.25	(W)								
Max Power	0.4	(W)								
Mount Type	Flush									
Operating Temperature	-40 ~ +66	°C								
Storage Temperature	-40 ~ +66	°C								
Weight	17	(g)								
 DB UNLIMITED			 Dynamic Speaker			SP500445-1				
				Drawn by	Date	Checked by	Date	Approved by	Date	
				A.B.	10/21/2013	C.E.	10/21/2013	J.S	10/21/2013	

Additional considerations can be found at www.dbunlimitedco.com/technical-articles.