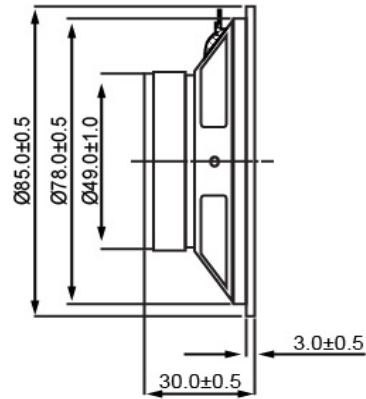
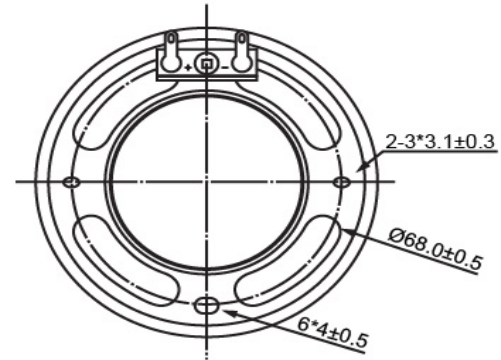




SIDE VIEW



BOTTOM VIEW



| Specifications | | | Notes | Revision History | | | | | |
|---|-------------|-------|---|------------------|---------------------------|------------------------------------|----------|--------------------------------------|--|
| Description | Value | Unit | | Version | Description | Date | Approved | | |
| Shape | Round | | 1) All dimensions are in mm unless otherwise noted 2) All parts meet RoHS | 1 | Released from Engineering | 10/21/2013 | J.S | | |
| Resonant Frequency | 350 | (Hz) | | | | | | | |
| Frequency Range | 350 ~ 6,000 | (Hz) | | | | | | | |
| SPL @ 10cm | 104 | (dBA) | | | | | | | |
| Impedance | 16 | (Ohm) | | | | | | | |
| Cone Material | Mylar | | | | | | | | |
| Nominal Power | 10 | (W) | | | | | | | |
| Max Power | 15 | (W) | | | | | | | |
| Mount Type | Flush | | | | | | | | |
| Operating Temperature | -20 ~ +55 | °C | | | | | | | |
| Storage Temperature | -20 ~ +55 | °C | | | | | | | |
| Weight | 197 | (g) | | | | | | | |
|  DB UNLIMITED | | |  DB UNLIMITED | | | Dynamic Speaker | | SM850316-1 | |
| | | | | | | Drawn by: A.B. Date: 10/21/2013 | | Checked by: C.E. Date: 10/21/2013 | |

Additional considerations can be found at www.dbunlimitedco.com/technical-services.