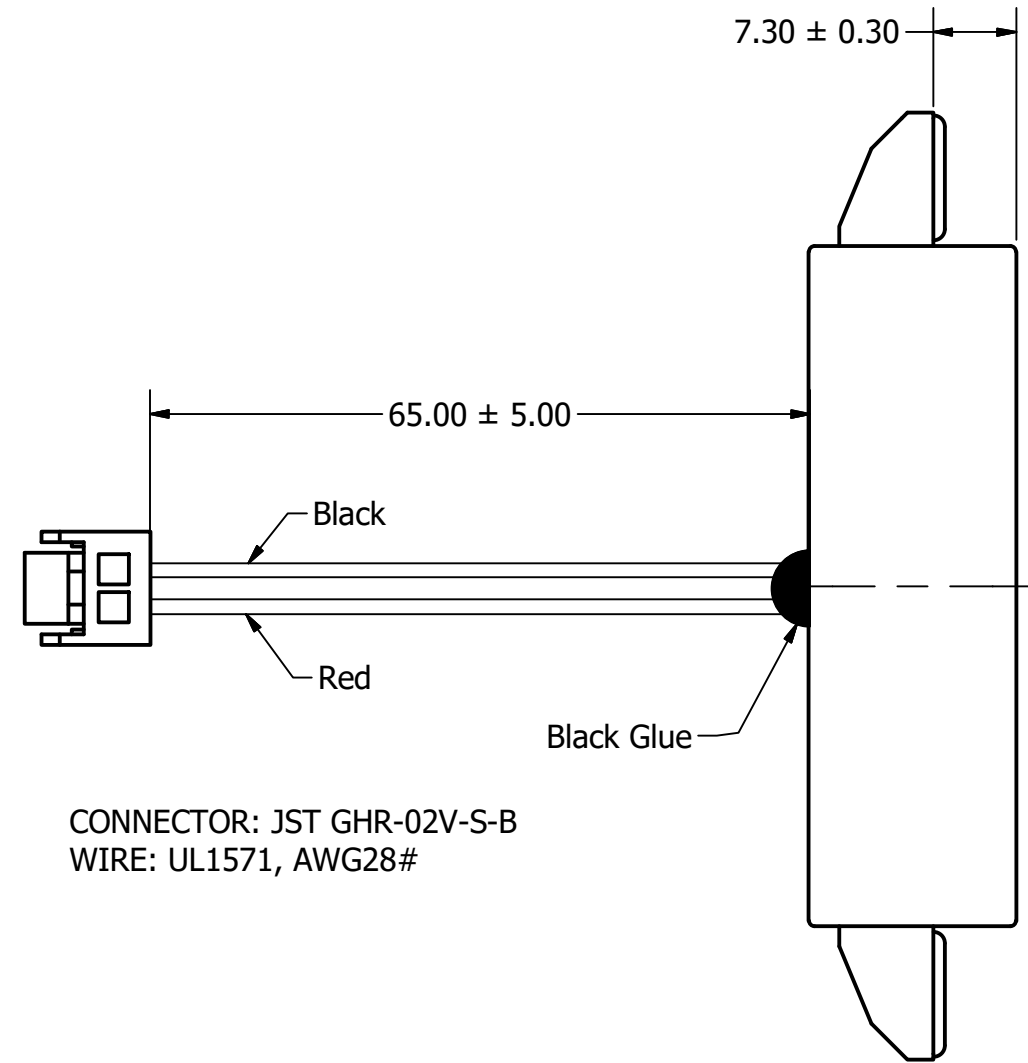
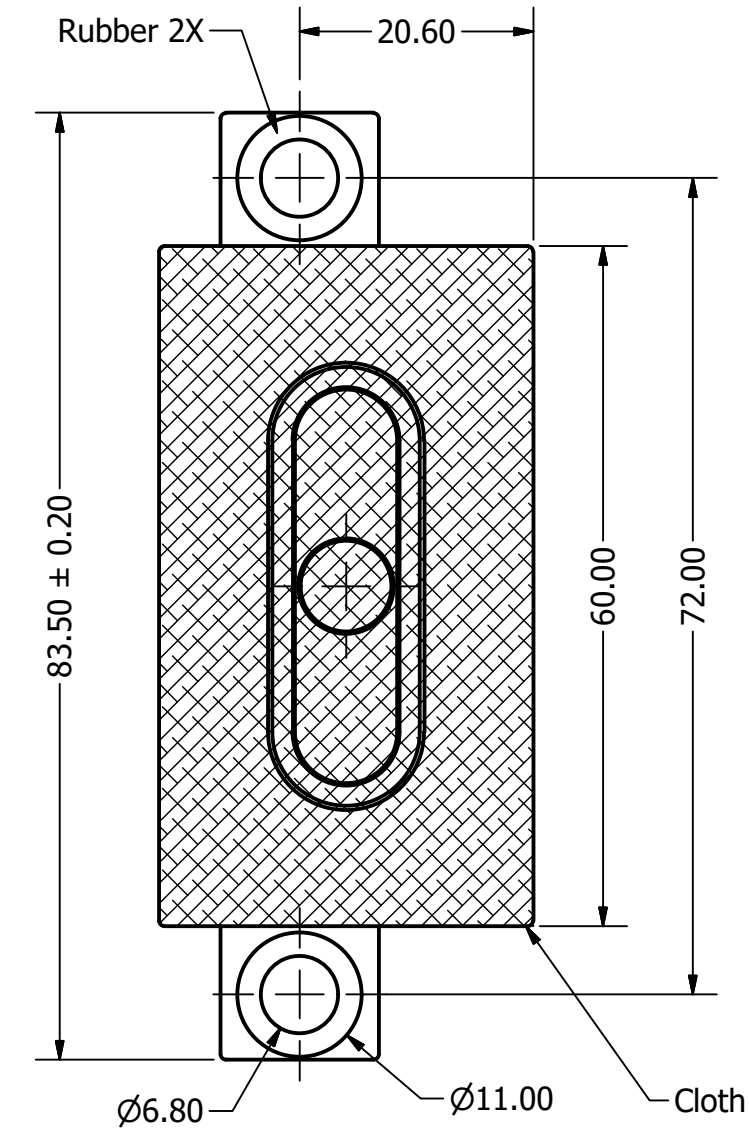


Part Number:	SM600804-1	
	DRAWN CJ	12/15/2015
Description:	Dynamic Speaker	
	CHECKED P.D	1/5/2016
	APPROVED J.S	1/5/2016
This document contains data proprietary to DB Unlimited. Any use or reproduction, in any form, without prior written permission of DB Unlimited is prohibited. All terms and conditions can be found at www.dbunlimitedco.com		

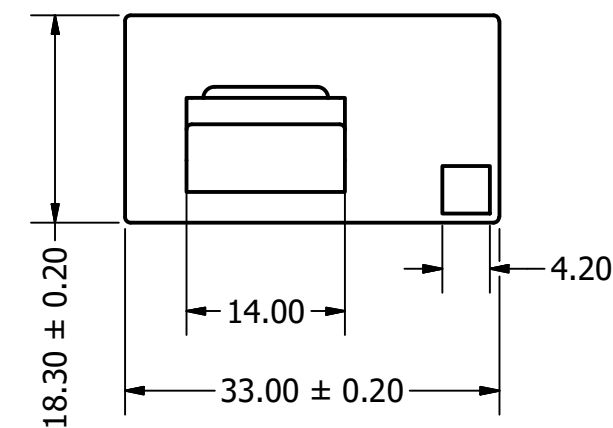
Side View (1)



Top View



Side View (2)



Items	Specifications	Conditions
Sound Pressure Level	104 ± 3	dB (@ 10cm)
Resonant Frequency	800	Hz
Frequency Range	200 ~ 20,000	Hz
Nominal Power	2	W
Max. Power	4	W
Impedance	4	Ω
Cone Material	Mylar	
Mount Type	Flange Mount	
Storage Temperature	-30 ~ +70	°C
Operating Temperature	-20 ~ +60	°C
Waterproof Rating	IP66	
Weight	27	g

REVISION HISTORY			
REV	DESCRIPTION	DATE	APPROVED
	Released from Engineering	1/5/2016	J.S.

NOTES			
1) All dimensions are in mm unless otherwise noted			
2) All tolerances are ± 0.5 mm unless otherwise noted			
3) All parts meet RoHS			
4) Subject to change or redrawn without notice			