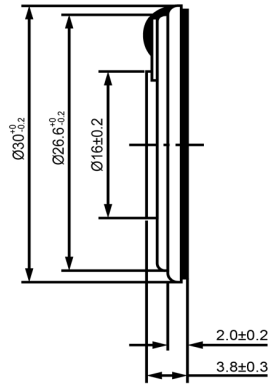
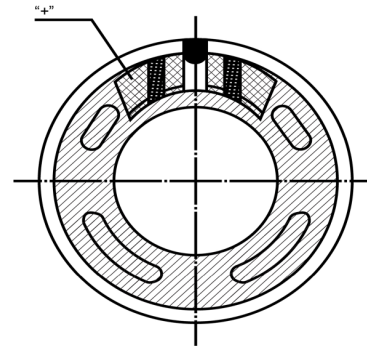




SIDE VIEW



BOTTOM VIEW



Specifications			Notes	Revision History											
Description	Value	Unit		Version	Description		Date	Approved							
Shape	Round		1) All dimensions are in mm unless otherwise noted 2) All parts meet RoHS	1	Released from Engineering		10/21/2013	J.S							
Resonant Frequency	380	(Hz)													
Frequency Range	380 ~ 5,000	(Hz)													
SPL @ 10cm	90	(dBA)													
Impedance	16	(Ohm)													
Cone Material	Mylar														
Nominal Power	0.2	(W)													
Max Power	0.4	(W)													
Mount Type	Flush														
Operating Temperature	-40 ~ +66	°C													
Storage Temperature	-40 ~ +66	°C													
Weight	5	(g)													
 <b>DB UNLIMITED</b>			 <b>Dynamic Speaker</b>			<b>SM300316-1</b>									
											Drawn by	Date	Checked by	Date	Approved by
			A.B.			10/21/2013		C.E.		10/21/2013		J.S		10/21/2013	

Additional considerations can be found on [www.dbunlimitedco.com/technical-articles](http://www.dbunlimitedco.com/technical-articles).