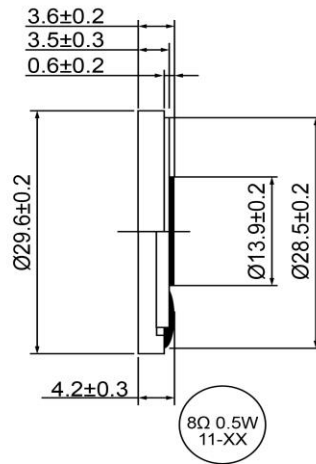
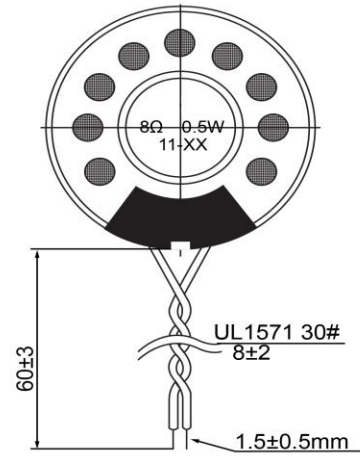



SIDE VIEW



BOTTOM VIEW



| Specifications | | | Notes | Revision History | | | | | |
|-----------------------|-------------|-------|--|------------------|---------------------------|------------|------------|-------------|------------|
| Description | Value | Unit | | Version | Description | Date | Approved | | |
| Shape | Round | | 1) All dimensions are in mm unless otherwise noted 2) All parts meet RoHS  DB UNLIMITED | 1 | Released from Engineering | 10/21/2013 | J.S | | |
| Resonant Frequency | 450 | (Hz) | | 2 | Updated SPL | 11/2/2015 | S.P | | |
| Frequency Range | 450 ~ 5,000 | (Hz) | | | | | | | |
| SPL @ 10cm | 92 | (dBA) | | | | | | | |
| Impedance | 8 | (Ohm) | | | | | | | |
| Cone Material | Mylar | | | | | | | | |
| Nominal Power | 0.5 | (W) | | | | | | | |
| Max Power | 0.8 | (W) | | | | | | | |
| Mount Type | Flush Mount | | | | | | | | |
| Operating Temperature | -40 ~ +66 | °C | | | | | | | |
| Storage Temperature | -40 ~ +66 | °C | | | | | | | |
| Weight | 3.5 | (g) | | | | | | | |
| | | | | Dynamic Speaker | | SM290408-1 | | | |
| | | | | Drawn by | Date | Checked by | Date | Approved by | Date |
| | | | | A.B. | 10/21/2013 | C.E. | 10/21/2013 | J.S | 10/21/2013 |