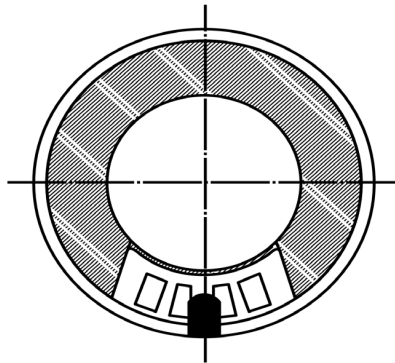
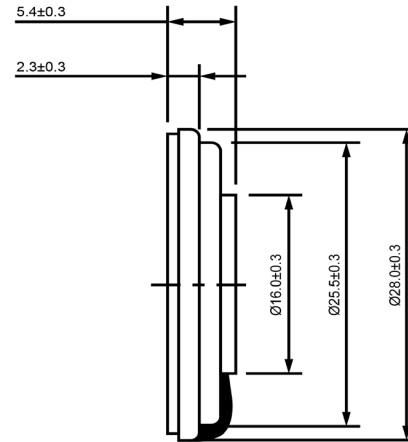



TOP VIEW



SIDE VIEW



Specifications			Notes	Revision History					
Description	Value	Unit		Version	Description		Date	Approved	
Shape	Round		1) All dimensions are in mm unless otherwise noted 2) All parts meet RoHS  DB UNLIMITED	1	Released from Engineering		2/5/2014	J.S.	
Resonant Frequency	620	(Hz)							
Frequency Range	620 ~ 5,000	(Hz)							
SPL @ 10cm	84	(dBA)							
Impedance	150	(Ohm)							
Cone Material	Mylar								
Nominal Power	0.25	(W)							
Max Power	0.5	(W)							
Mount Type	Flush Mount								
Operating Temperature	-20 ~ +60	°C							
Storage Temperature	-20 ~ +60	°C							
Weight	7	(g)							
				Dynamic Speaker		SM2806150-1			
				Drawn by	Date	Checked by	Date	Approved by	Date
				G.W.	1/27/2014	C.E.	2/4/2014	J.S.	2/5/2014

Additional considerations can be found at www.dbunlimitedco.com/technical-articles.