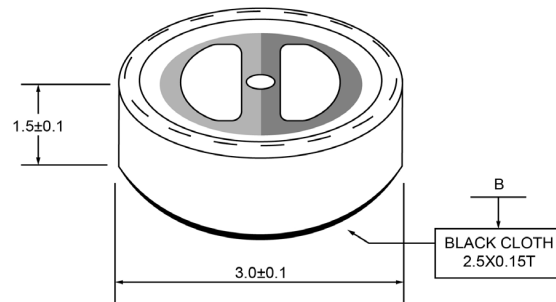
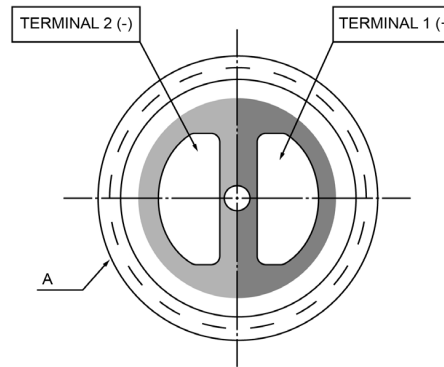



ANGLED VIEW



BOTTOM VIEW



Specifications			Notes	Revision History												
Description	Value	Unit		Version	Description	Date	Approved									
Directivity	Omnidirectional		1) All dimensions are in mm unless otherwise noted 2) All parts meet RoHS   DB UNLIMITED	1	Released from Engineering	10/21/2013	J.S									
Technology	Electret Condenser															
Sensitivity	-44	(dB)														
Frequency Range	40 ~ 20,000	(Hz)														
Rated Voltage	2	(V)														
Output Impedance	2,200	(Ohm)														
Connection Method	Solder Pads															
Voltage Range	1 ~ 10	(V)														
Max Rated Current	0.45	(mA)														
Minimum Signal to Noise Ratio	>60	(dB)														
Operating Temperature	-40 ~ +85	°C														
Storage Temperature	-40 ~ +85	°C														
				Electret Condenser Microphone	<b>MO034402-4</b>											
				<table border="1"> <thead> <tr> <th>Drawn by</th> <th>Date</th> <th>Checked by</th> <th>Date</th> <th>Approved by</th> <th>Date</th> </tr> </thead> <tbody> <tr> <td>A.B.</td> <td>10/21/2013</td> <td>C.E.</td> <td>10/21/2013</td> <td>J.S</td> <td>10/21/2013</td> </tr> </tbody> </table>	Drawn by	Date	Checked by	Date	Approved by	Date	A.B.	10/21/2013	C.E.	10/21/2013	J.S	10/21/2013
Drawn by	Date	Checked by	Date	Approved by	Date											
A.B.	10/21/2013	C.E.	10/21/2013	J.S	10/21/2013											

Additional considerations can be found at [www.dbunlimitedco.com/technical-articles](http://www.dbunlimitedco.com/technical-articles).