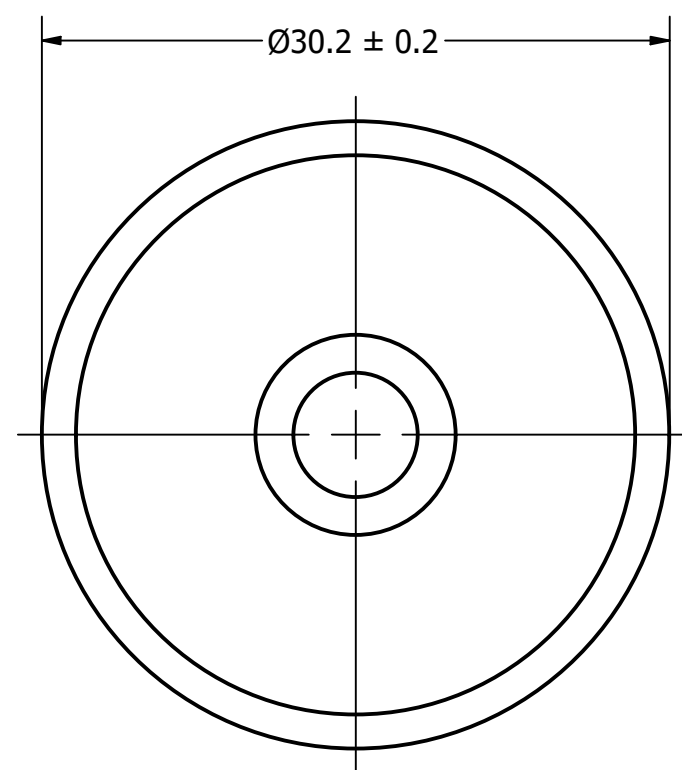




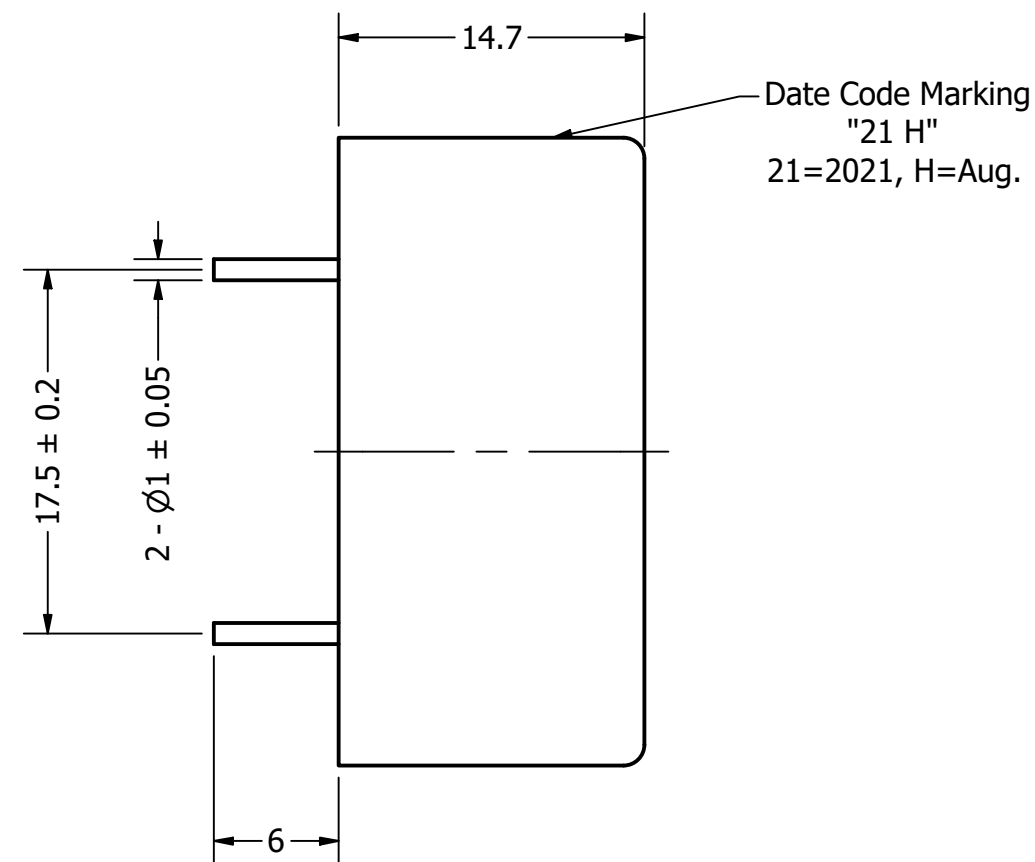
DB UNLIMITED

Part Number:	IP303012-1	
	DRAWN CJ	8/9/2021
Description:	Piezo Indicator	
	CHECKED L.L.	8/10/2021
	APPROVED J.S.	8/10/2021
This document contains data proprietary to DB Unlimited. Any use or reproduction, in any form, without prior written permission of DB Unlimited is prohibited. All terms and conditions can be found at www.dbunlimitedco.com		

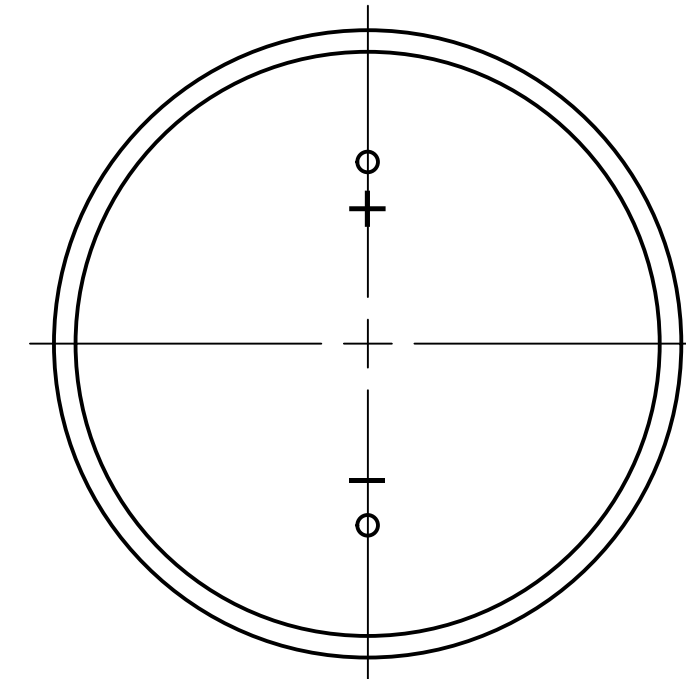
Top View



Side View



Bottom View



Items	Specifications	Conditions
Min. Sound Pressure Level	100	dB (@ 10cm)
Tone	Single	
Resonant Frequency	3,000	Hz
Rated Voltage	12	V
Voltage Range	3 ~ 20	V
Max. Rated Current	10	mA
Storage Temperature	-30 ~ +70	°C
Operating Temperature	-20 ~ +60	°C
Connection Method	PC Pin	
Mount Type	Thru Hole	
Housing Material	ABS	
Weight	7	g

REVISION HISTORY

REV	DESCRIPTION	DATE	APPROVED
	Released from Engineering	10/21/2013	J.S.
1	Updated drawing, temperature and weight	8/10/2021	L.L.

NOTES

- 1) All dimensions are in mm unless otherwise noted
- 2) All tolerances are ± 0.5 mm unless otherwise noted
- 3) All parts meet RoHS
- 4) Subject to change or redrawn without notice